

MEET INTERNATIONAL
STANDARD API5B

BUTTRESS THREAD RUN-OUT GAUGE

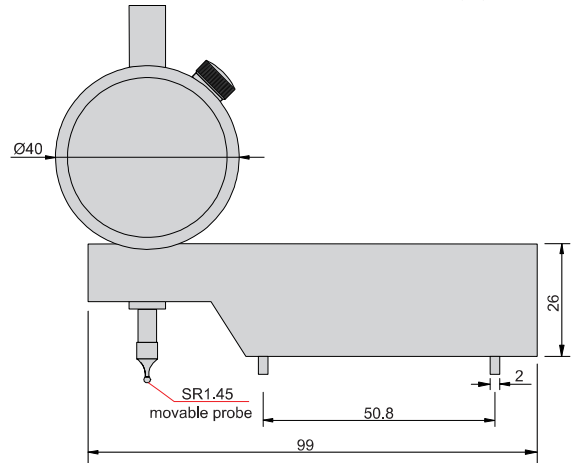


2238-4

- The run-out gauge is used to check the run-out thread root and insure that the external thread is sufficiently long and is a true run-out thread

Code	Range	Dial indicator graduation	Dial indicator stroke	Accuracy
2238-4	0-4mm	0.01mm	5mm	0.02mm

Unit: mm



application

